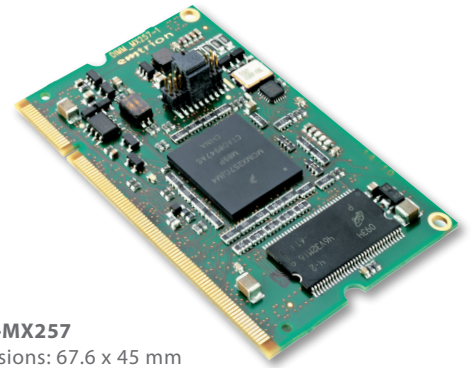
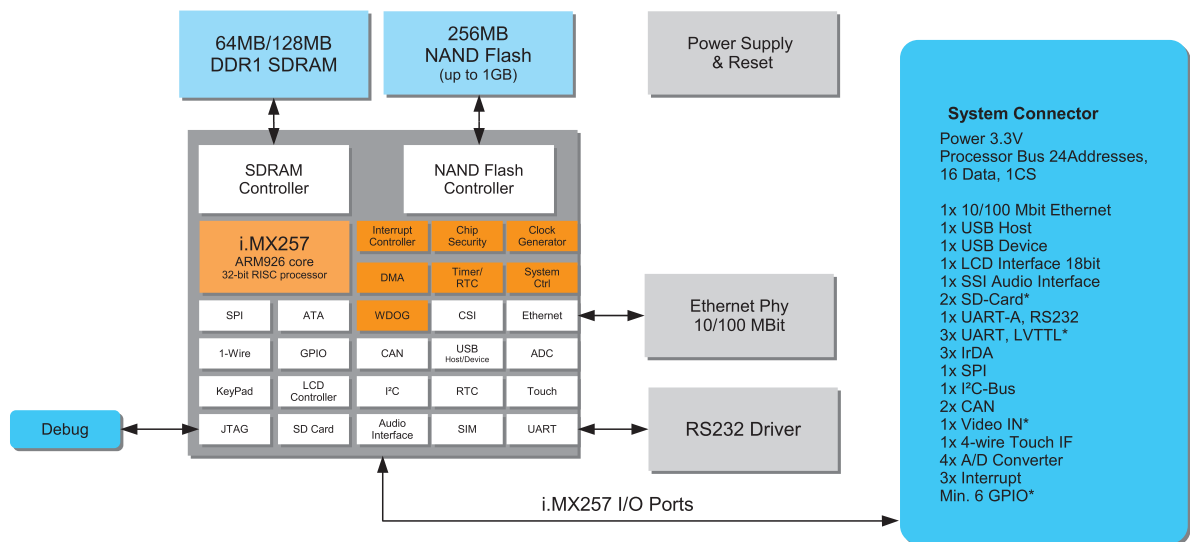


DIMM-MX257 Processor module



DIMM-MX257
Dimensions: 67.6 x 45 mm



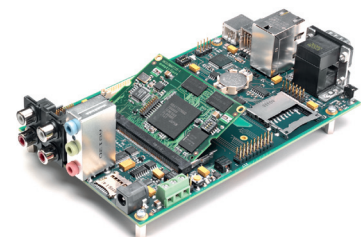
Getting started and reducing your time to market:

Developer and kits:



From emtrion you can buy the hardware as well as software and hardware combined into one of our developer kits.

You can start your application or kernel development easily, and shorten the time to market.

Online updates are available on our support web site.



DIMM-MX257 as CPU-Module or Single Board Computer

	DIMM-MX257	SBC
		
Product	DIMM-MX257	DIMM-MX257-SBC
Windows CE		WEC
Linux		Linux
QNX		QNX on request
Android		-
CPU		NXP i.MX257 (ARM9) 400 MHz 440 MIPS
Multimedia		- -
Coprocessor		-
Flash		256 MB NAND Flash
RAM		64 MB / opt. 128 DDR SDRAM
Ethernet		100Base TX
UART: RS232/LVTTL/IrDA		1 / 3 / 0
USB Host		2.0 full speed
USB Device		2.0 high speed
Digital Audio		-
Analog Audio		SSI Interface
Video In/Camera		8-bit interface for external PAL/NTSC codecs, e.g. for 1 CMOS camera up to 3 MPixel
Video out		-
CAN		2 x 2.0 A/B
I2C		1
SPI		-
Digital GPIO		3
MMC/SDC	2 x MMC/SDC (SDIO)	1 x micro SD
Touch interface		4-wire resistive
RTC (battery buffered)	yes	1 x battery holder with CR1632
LCD interface		up to SVGA
Size in mm	67.6 x 45 x 9	125 x 100
max. power consumption		3.3V@350mA
Operating temperature		0...70° C, opt. -40...85° C
Interface to carrier board		Processor bus and I/O via SODIMM connector (200 pos., 2.5V keying)
Carrier boards available	yes	-
Starterkits available		yes
Custom specific solutions		yes
NOT RECOMMENDED FOR NEW DESIGN		

Subject to change without notice.
Rev.: 03/2019



emtrion GmbH

Alter Schlachthof 45
D-76131 Karlsruhe

Tel. +49 (0) 721 62725-0
Fax +49 (0) 721 62725-19
E-Mail sales@emtrion.com

Visit us on the Internet:
www.emtrion.com