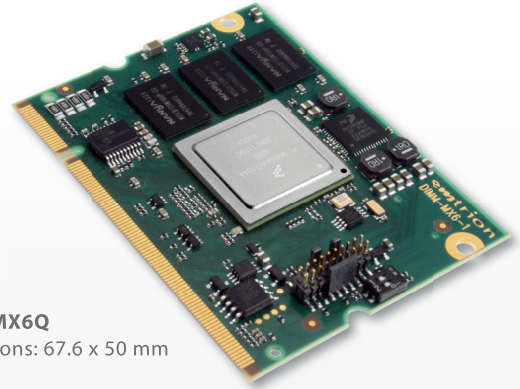


# DIMM-MX6Q

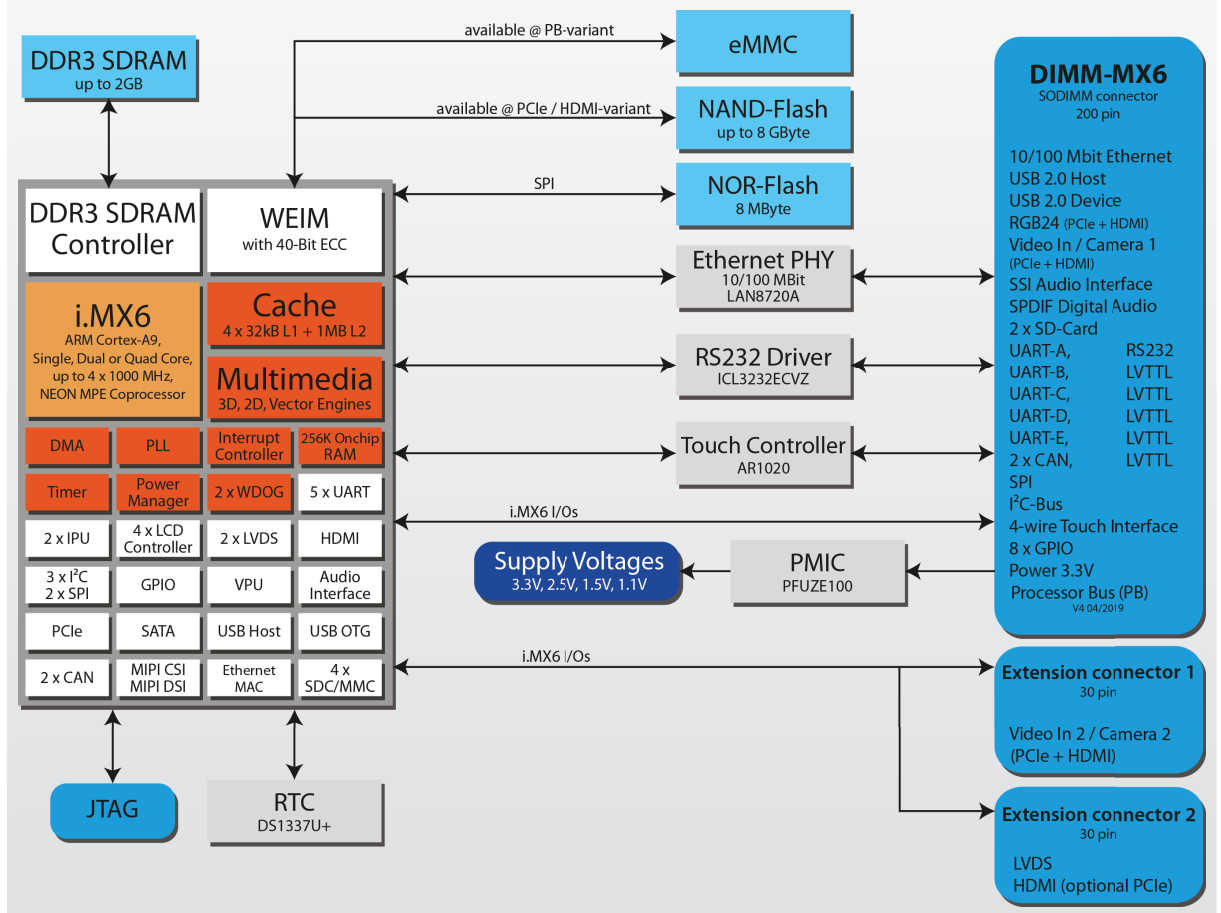
PCIe / HDMI / PB

## Processor module

with NXP quad core Cortex-A9 processor



**DIMM-MX6Q**  
Dimensions: 67.6 x 50 mm

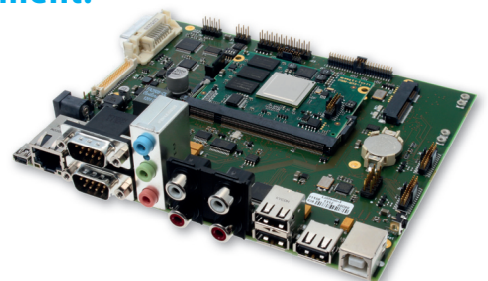


### Getting started with your embedded development!


#### Reduce your time to market with emtrion Developer Kits!

With an emtrion developer kit you can easily start your application development and reduce your time to market.

Emtrion's engineers are unique experts in hardware and software development. The embedded solutions are all from one source.



## DIMM-MX6Q as CPU-Module (PCIe / HDMI / PB)

	DIMM-MX6Q-PCIe	DIMM-MX6Q-HDMI	DIMM-MX6Q-PB
			
Product	DIMM-MX6Q-PCIe	DIMM-MX6Q-HDMI	DIMM-MX6Q-PB
Windows	WEC on request		
Linux	Linux		
QNX	QNX on request		
Android	Android		
CPU manufacturer	NXP i.MX6		
CPU architecture	ARM Cortex-A9 (quad core)		
CPU performance	4x 1 GHz - up to 10.000 MIPS		
Co-Processor	4x ARM NEON™		
Video processing (hardware accelerated)	H.264 decode at 2x 1080p30, H.264 encode at 2x 720p30 or 1x 1080p30		
2D (hardware accelerated)	openVG 1.1		
3D (hardware accelerated)	OpenGL ES 2.0 & 1.1, Direct3D		
GPU Computing	openCL EP		
RAM	512 MB up to 2GB DDR3-SDRAM		
Flash	512 MB up to 4 GB SLC NAND Flash (managed by memory controller)		4 GB up to 32 GB eMMC
Ethernet	100Base TX		
UART: RS232/LVTTL	1 / 4		
USB Host	2.0 high speed		
USB Device	2.0 high speed		
Processor bus	-		16 bit data addresses
PCIe	1 Lane	-	
Digital Audio	SPDIF IN/OUT		
Analog Audio	SSI interface		
LCD interface	2 Interfaces, up to Full-HD (1x RGB, 1x LVDS)	3 Interfaces, up to Full-HD (1x RGB, 1x LVDS, 1x HDMI 1.4)	2 Interfaces, up to Full-HD (1x HDMI 1.4, 1x LVDS)
Video In/Camera	YUV422 interface for 2 x CMOS Cameras up to 16MPixel or PAL/NTSC CODEC		-
CAN	2 x 2.0 A/B		
I2C	1		
SPI	1		
Digital GPIO	10		
MMC/SDC	2 x MMC/SD (SDIO)		
Touch interface	4-wire resistive, optional capacitive		
RTC (battery buffered)	yes		
Size in mm	67.6 x 50 x 10		
max. power consumption	3,3V @ 4.5A max.		
Operating temperature	0...+70°C, opt. -40...+85°C		
Interface to carrier board	SODIMM connector (200 pos., 2.5V keying), processor bus optional		
Carrier boards available	yes		
Developer kits available	yes		
Custom specific solutions	yes		

Subject to change without notice.  
Rev1: 14/2019



**emtrion GmbH**  
Am Hasenbiel 6  
D-76297 Stutensee  
Tel. +49 (0) 7244 62694-0  
Fax +49 (0) 7244 62694-19  
E-Mail sales@emtrion.com

Visit us online at:  
[www.emtrion.com](http://www.emtrion.com)